


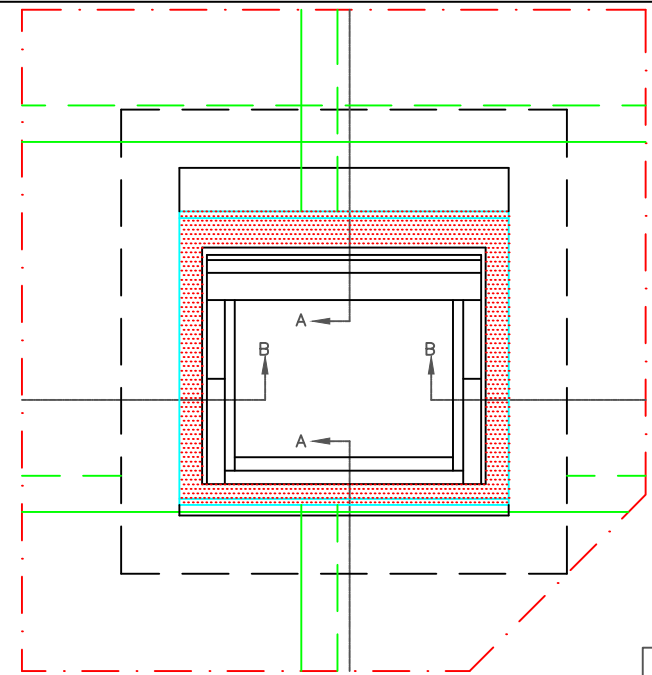
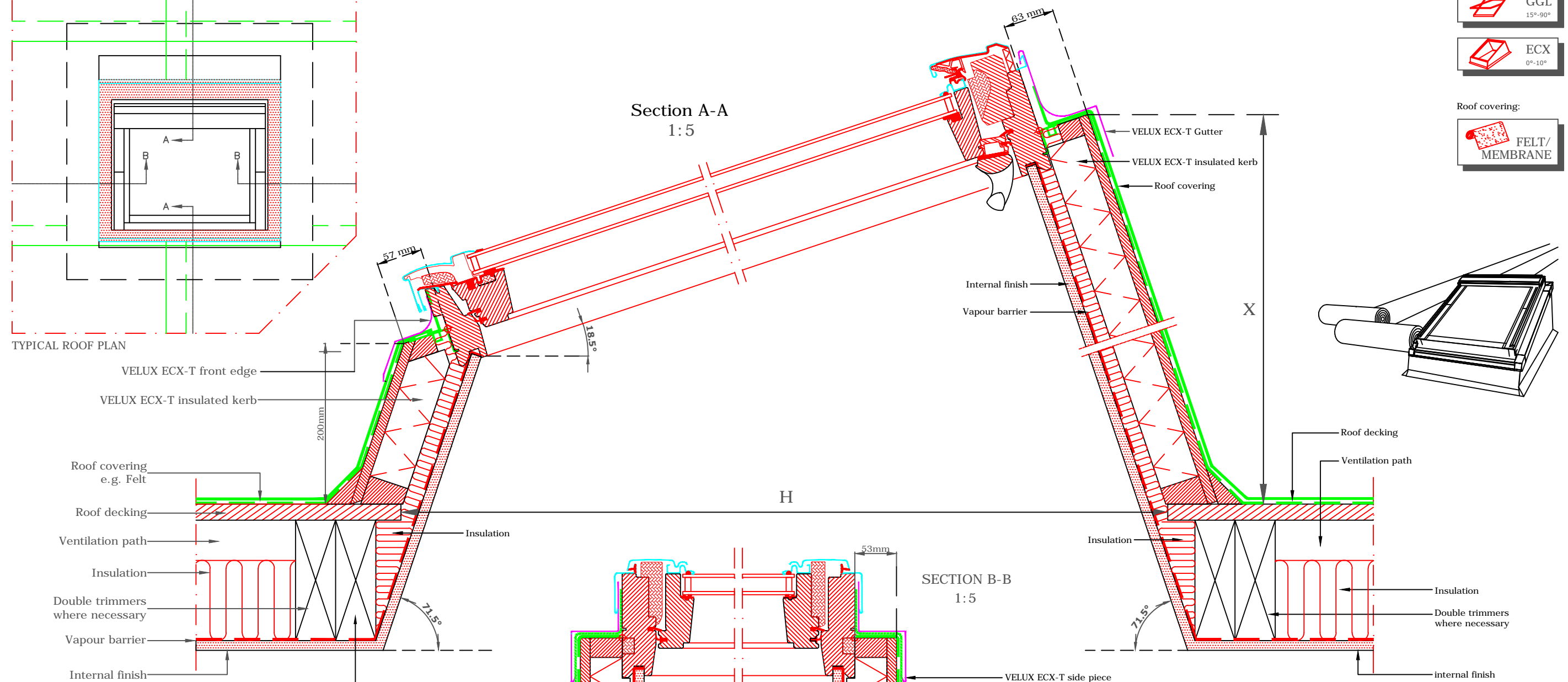


- VELUX Products:
-  GGL 15°-90°
 -  ECX 0°-10°
- Roof covering:
-  FELT/MEMBRANE



Section A-A
1:5



SECTION B-B
1:5

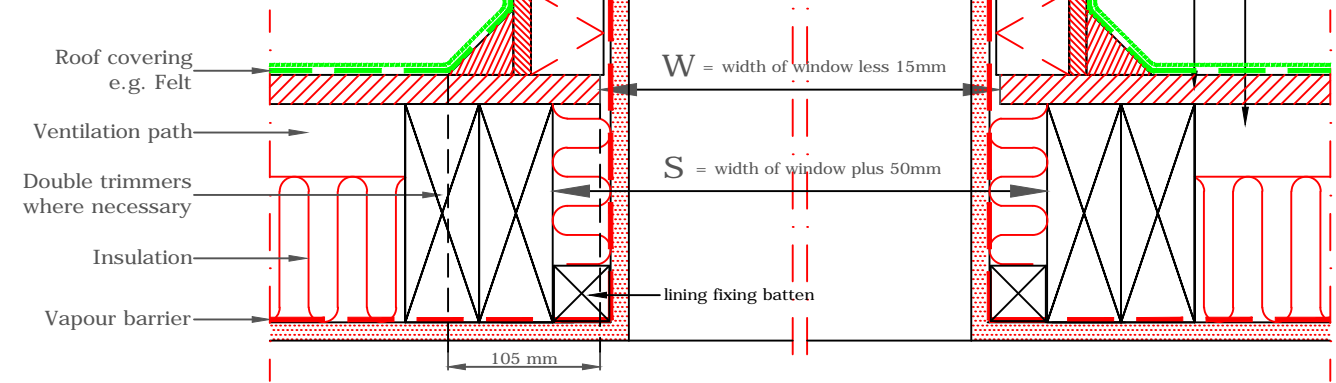
NOTE:
setting out of these trimmers are
subject to depth of roof construction
in relation to lining angle

STRUCTURAL DIMENSIONS

Kerb Reference	S
ECX-T UK04	1390
ECX-T UK08	1390

HOLE IN ROOF OPENING DIMENSIONS

Kerb reference	W	H	X
ECX-T UK04	1325 x	1170	550
ECX-T UK08	1325 x	1610	680



VELUX Company Ltd
Woodside Way
Glenrothes, Fife KY7 4ND
tel: +44 (0) 1592 778 225

VELUX centre-pivot roof window
GGL single installation into flat roof
ECX insulated kerb - install into flat roof material
All dimensions are in millimetres where shown

NOTE! When installing VELUX roof windows, flashings and accessories, please ensure compliance with building regulations and British/European standards where necessary. This detail represents the principles of a typical installation only and the design and specification of the final detail is the responsibility of others.

Latest revision:

Date:	January 2015
Rev no:	
Rev date:	
Drawn:	PJH

File name:
GGL-ECX-bespoke for Willmott Dixon
Scale: 1:5 approx. @ A3